



Power over Ethernet Consortium

Clause 33 PD Conformance Test Suite v 1.5 Report

UNH-IOL — 121 Technology Drive, Suite 2 — Durham, NH 03824 — (603) 862-0090
Consortium Manager: Gerard Nadeau — grn@iol.unh.edu — (603) 862-0116

Vendor Name
Company Name
Street Address
City, State Zip

Month, Day, Year
Report Rev. 1.0

Enclosed are the results from the Clause 33 PD Conformance testing performed on:

Device Under Test (DUT):	Device Name
Hardware Version:	Ver. 1.0
Firmware Version:	Ver. 1.0
Software Version:	Ver. 1.0
DUT PD Chip:	Phy chipset info
DUT Magnetics:	Power chipset info
Miscellaneous:	Port Tested

The test suite referenced in this report is available at the UNH-IOL website:

ftp://ftp.iol.unh.edu/pub/ethernet/test_suites/CL33_PD/PD_Test_Suite_v1.5.pdf

Issues Observed While Testing

33.1.8 – PD Power Supply Turn On / Off (c) – The DUT turned off its power supply at a voltage greater than the minimum conformant value.

For specific details regarding issues please see the corresponding test result.

Testing Completed 12/1/2004

Review Completed 12/1/2004

<John Q. Testers signature>

<Joe Q. Reviewers signature>

John Q. Tester
jqt@iol.unh.edu

Joe Q. Reviewer
jqr@iol.unh.edu

Digital Signature Information

This document was created using an Adobe digital signature. A digital signature helps to ensure the authenticity of the document, but only in this digital format. For information on how to verify this document's integrity proceed to the following site:

<http://www.iol.unh.edu/certifyDoc>

If the document status still indicates "Validity of author NOT confirmed", then please contact the UNH-IOL to confirm the document's authenticity. To further validate the certificate integrity, Adobe 6.0 should report the following fingerprint information:

MD5 Fingerprint: 8664 5701 3DC2 368A 0CC0 A1D7 792C D70C
SHA-1 Fingerprint: BF96 86A2 E723 9795 C8EA B9F8 1E10 BF22 1D61 3CE4

Result Key

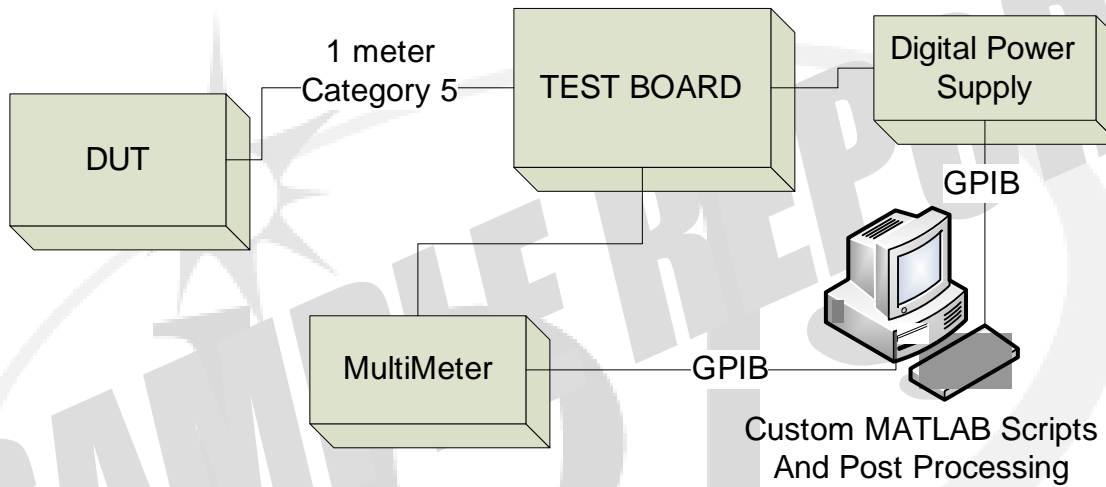
The following table contains possible results and their meanings:

Result	Interpretation
PASS	The Device Under Test (DUT) was observed to exhibit conformant behavior.
PASS with Comments	The DUT was observed to exhibit conformant behavior however an additional explanation of the situation is included, such as due to time limitations only a portion of the testing was performed.
FAIL	The DUT was observed to exhibit non-conformant behavior.
Warning	The DUT was observed to exhibit behavior that is not recommended.
Informative	Results are for informative purposes only and are not judged on a pass or fail basis.
Refer to Comments	From the observations, a valid pass or fail could not be determined. An additional explanation of the situation is included.
Not Applicable	The DUT does not support the technology required to perform these tests.
Not Available	Due to testing station or time limitations, the tests could not be performed.
Borderline	The observed values of the specified parameters are valid at one extreme, and invalid at the other.
Not Tested	Not tested due to the time constraints of the test period.

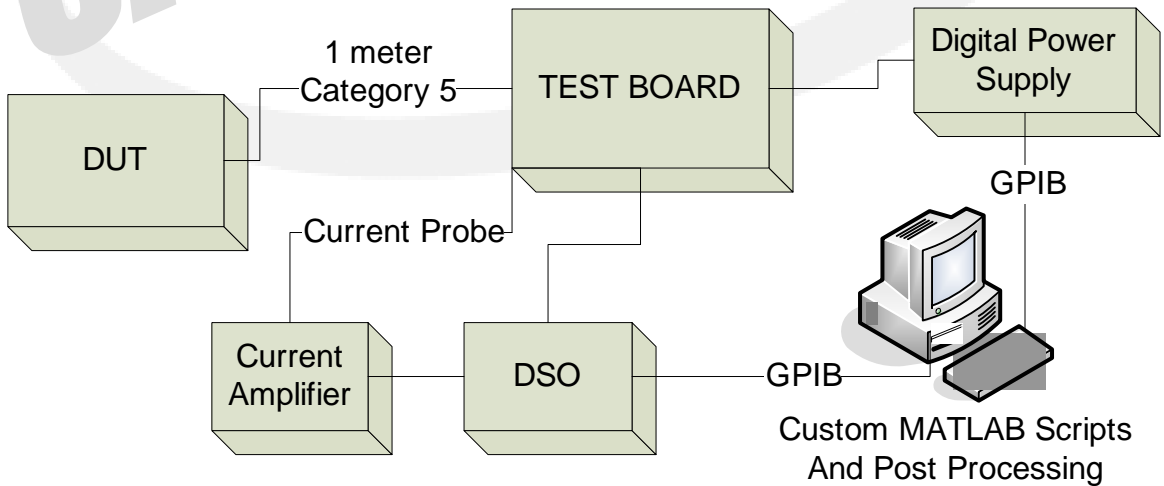
Test Setup

Testing Equipment	
Testing Software	PD_GUI v2.2
Real-time DSO	TEKTRONIX, TDS 3014
Current Probe and Amplifier	TEKTRONIX, TPS305 and TPSA300
Digital Multimeter	HEWLETT-PACKARD, 34401A
Digital Power Supply	AGILENT TECHNOLOGIES, E3641A

Testing Configuration A



Testing Configuration B



GROUP 1: PARAMETRIC TESTING

Test # and Label	Part(s)	Result(s)
33.1.1 – PD Source Power	a	PASS
Expected Results and Procedural Comments		
Using Testing Configuration A, verify that the DUT does not source power on its PI for either mode A and B. a. The DUT should not source power on its PI at any time.		
Comments on Test Results		
a. The DUT was observed to not source power on either of its two sets of PI conductors.		

Test # and Label	Part(s)	Result(s)
33.1.2 – PD Pinout	a	PASS
Expected Results and Procedural Comments		
Using Testing Configuration A, verify that the DUT is insensitive to the polarity of the power supply and is able to operate in either Mode A or Mode B. a. In all cases the DUT should accept the applied power and become operational once the requested power has been supplied.		
Comments on Test Results		
a. The DUT became operational when power was applied to Mode A (MDI and MDI-X), or Mode B (MDI and MDI-X).		

Test # and Label	Part(s)	Result(s)																													
33.1.3 Valid PD Detection Signature	a	PASS																													
	b	PASS																													
Expected Results and Procedural Comments																															
<p>Purpose: To verify that the DUT presents a valid detection signature while it is requesting power on the PI.</p> <p>a. The observed signature resistance should between 23.75 and 26.25 kΩ (inclusive).</p> <p>b. The DUT should have either a voltage offset less than of equal to 1.9 V, or a current offset less than or equal to 10 μA.</p>																															
Comments on Test Results																															
<table border="1" style="width: 100%; border-collapse: collapse;"> <thead> <tr> <th style="background-color: #FFDAB9;">Part a.</th> <th style="background-color: #FFDAB9;">Mode A</th> <th style="background-color: #FFDAB9;">Mode B</th> <th style="background-color: #FFDAB9;">Units</th> </tr> </thead> <tbody> <tr> <td>V-I Slope Minimum</td> <td style="text-align: center;">24.147</td> <td style="text-align: center;">24.153</td> <td style="text-align: center;">KΩ</td> </tr> <tr> <td>V-I Slope Average</td> <td style="text-align: center;">24.524</td> <td style="text-align: center;">24.506</td> <td style="text-align: center;">KΩ</td> </tr> <tr> <td>V-I Slope Maximum</td> <td style="text-align: center;">25.012</td> <td style="text-align: center;">24.945</td> <td style="text-align: center;">KΩ</td> </tr> <tr> <th style="background-color: #FFDAB9;">Part b.</th> <td></td> <td></td> <td></td> </tr> <tr> <td>Voltage Offset</td> <td style="text-align: center;">0.946</td> <td style="text-align: center;">0.964</td> <td style="text-align: center;">V</td> </tr> <tr> <td>Current Offset</td> <td style="text-align: center;">Not Applicable</td> <td style="text-align: center;">Not Applicable</td> <td style="text-align: center;">μA</td> </tr> </tbody> </table> <p>NOTE: Failures indicated in red, enclosed by parenthesis</p>				Part a.	Mode A	Mode B	Units	V-I Slope Minimum	24.147	24.153	KΩ	V-I Slope Average	24.524	24.506	KΩ	V-I Slope Maximum	25.012	24.945	KΩ	Part b.				Voltage Offset	0.946	0.964	V	Current Offset	Not Applicable	Not Applicable	μA
Part a.	Mode A	Mode B	Units																												
V-I Slope Minimum	24.147	24.153	KΩ																												
V-I Slope Average	24.524	24.506	KΩ																												
V-I Slope Maximum	25.012	24.945	KΩ																												
Part b.																															
Voltage Offset	0.946	0.964	V																												
Current Offset	Not Applicable	Not Applicable	μA																												

Test # and Label	Part(s)	Result(s)													
33.1.4 – Non Valid PD Detection Signature	A	PASS													
Expected Results and Procedural Comments															
<p>Purpose: To verify that the DUT presents a non-valid detection signature while it is not requesting power, or once powered, at the PI of the non-powered pairs.</p> <p>a. The PD should have a non-valid input resistance less than 12 kΩ or greater than 45 kΩ.</p>															
Comments on Test Results															
<table border="1" style="width: 100%; border-collapse: collapse;"> <thead> <tr> <th style="background-color: #FFDAB9;">Part a.</th> <th style="background-color: #FFDAB9;">Mode A</th> <th style="background-color: #FFDAB9;">Mode B</th> <th style="background-color: #FFDAB9;">Units</th> </tr> </thead> <tbody> <tr> <td>V-I Slope Minimum</td> <td style="text-align: center;">25.147</td> <td style="text-align: center;">25.140</td> <td style="text-align: center;">KΩ</td> </tr> <tr> <td>V-I Slope Average</td> <td style="text-align: center;">25.425</td> <td style="text-align: center;">25.531</td> <td style="text-align: center;">KΩ</td> </tr> </tbody> </table> <p>NOTE: Failures indicated in red, enclosed by parenthesis</p>				Part a.	Mode A	Mode B	Units	V-I Slope Minimum	25.147	25.140	KΩ	V-I Slope Average	25.425	25.531	KΩ
Part a.	Mode A	Mode B	Units												
V-I Slope Minimum	25.147	25.140	KΩ												
V-I Slope Average	25.425	25.531	KΩ												

Test # and Label		Part(s)	Result(s)	
33.1.5 – PD Classification Signature		a	PASS	
Expected Results and Procedural Comments				
<p>Using Testing Configuration A, verify that the DUT provides proper classification signature current draw.</p> <p>a. The current drawn by the DUT should fall within the range (inclusive) specified for each supported class.</p>				
Comments on Test Results				
Part a.		Mode A	Mode B	Units
Class 0	Avg. Signature Current	0.599	0.600	mA
Class 1	Avg. Signature Current	Not Applicable	Not Applicable	mA
Class 2	Avg. Signature Current	Not Applicable	Not Applicable	mA
Class 3	Avg. Signature Current	Not Applicable	Not Applicable	mA
Class 4	Avg. Signature Current	Not Applicable	Not Applicable	mA
NOTE: Failures indicated in red, enclosed by parenthesis				

Test # and Label		Part(s)	Result(s)	
33.1.6 – Input Average Power		a	PASS	
Expected Results and Procedural Comments				
<p>Using Testing Configuration B, verify that the DUT provides proper information about its maximum power requirements, and that those requirements fall within the acceptable range.</p> <p>a. The power drawn by the DUT should fall within the range (inclusive) specified for each supported class.</p>				
Comments on Test Results				
Part a.		Mode A	Mode B	Units
Class 0	Power Draw at 44 V	0.025	0.051	W
	Power Draw at 57 V	0.732	0.120	W
Class 1	Power Draw at 44 V	Not Applicable	Not Applicable	W
	Power Draw at 57 V	Not Applicable	Not Applicable	W
Class 2	Power Draw at 44 V	Not Applicable	Not Applicable	W
	Power Draw at 57 V	Not Applicable	Not Applicable	W
Class 3	Power Draw at 44 V	Not Applicable	Not Applicable	W
	Power Draw at 57 V	Not Applicable	Not Applicable	W
Class 4	Power Draw at 44 V	Not Applicable	Not Applicable	W
	Power Draw at 57 V	Not Applicable	Not Applicable	W
NOTE: Failures indicated in red, enclosed by parenthesis				

Test # and Label	Part(s)	Result(s)
33.1.7 – Backfeed Voltage	a	PASS
Expected Results and Procedural Comments		
<p>Using Testing Configuration A, verify that when the DUT is powered, the voltage on the opposite mode, across a 100kΩ resistor is less than V_{bfd}, or 2.8V.</p> <p>a. The voltage across the 100kΩ should be less than 2.8V</p>		
Comments on Test Results		
<p>a. The voltage across the 100kΩ resistor was observed to be 0.01V.</p>		

Test # and Label	Part(s)	Result(s)
33.1.8 – PD Power Supply Turn On / Off	a	PASS
	b	PASS
	c	FAIL
Expected Results and Procedural Comments		
<p>Using Testing Configuration A, verify that the DUT will turn on its power supply once power has been applied to the PI, will remain on over the entire port voltage range, and turn off its power supply once power is removed.</p> <p>a. The DUT should turn on its power supply at a port voltage less than 42 V. b. Once turned on, the DUTs power supply should remain on for port voltages over the range of 44 V to 57V. c. The DUT should turn off its power supply at a port voltage greater than 30V and less than 36 V.</p>		
Comments on Test Results		
<p>a. Mode A - The DUTs power supply was observed to properly turn on at a port voltage less than 41.2 V. Mode B - The DUTs power supply was observed to properly turn on at a port voltage less than 41.2 V. b. The DUT remained operational throughout the entire range of port voltages. c. Mode A - The DUTs power supply was observed to turn off at a port voltage of 39.0 V. Mode B - The DUTs power supply was observed to turn off at a port voltage of 39.0 V.</p>		

Annex A: Figures

Attached are plots of the data taken for signature resistance and classification current draws. These data points were obtained using digital multimeter and a digital power supply. The data was downloaded and post processed using custom Matlab scripts.



Figure 1: Mode A Detection Signature Characteristics
V-I Curve

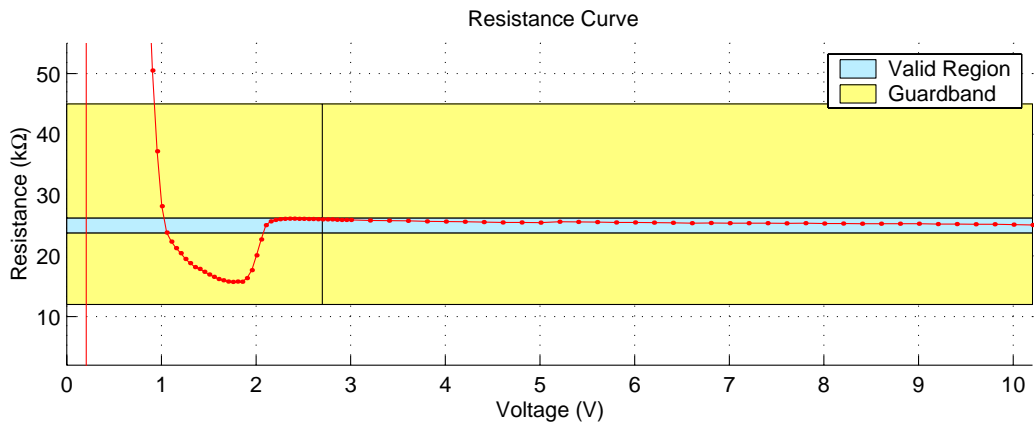
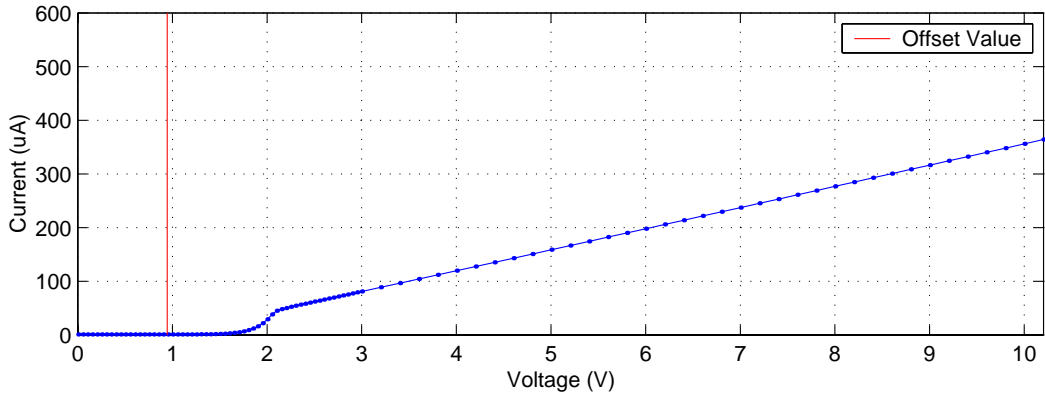


Figure 2: Mode B Detection Signature Characteristics
V-I Curve

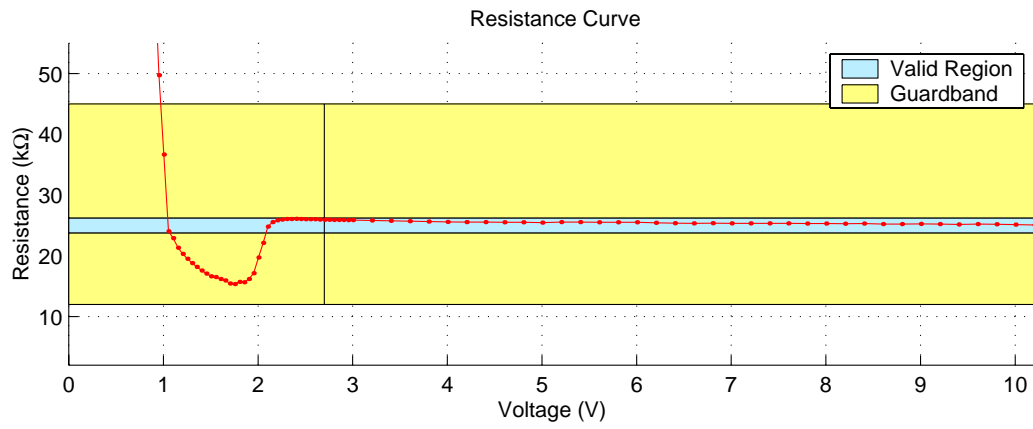
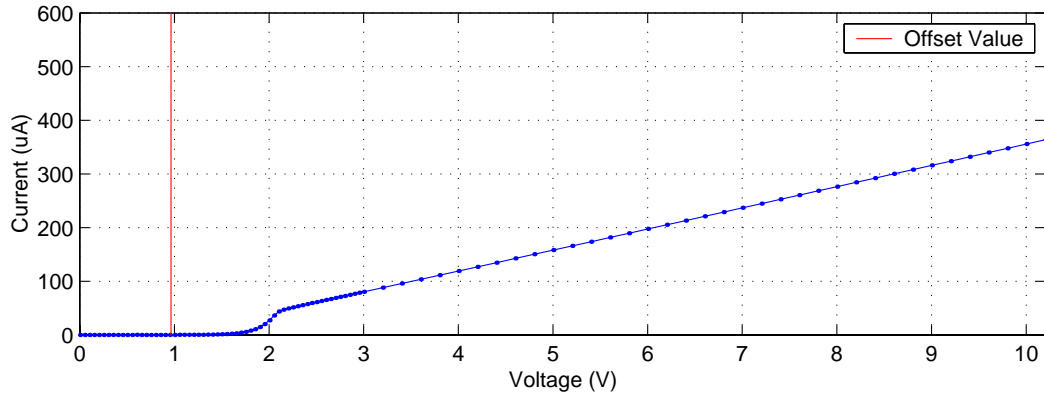


Figure 3: Mode A Classification Signature Characteristics – Class 0

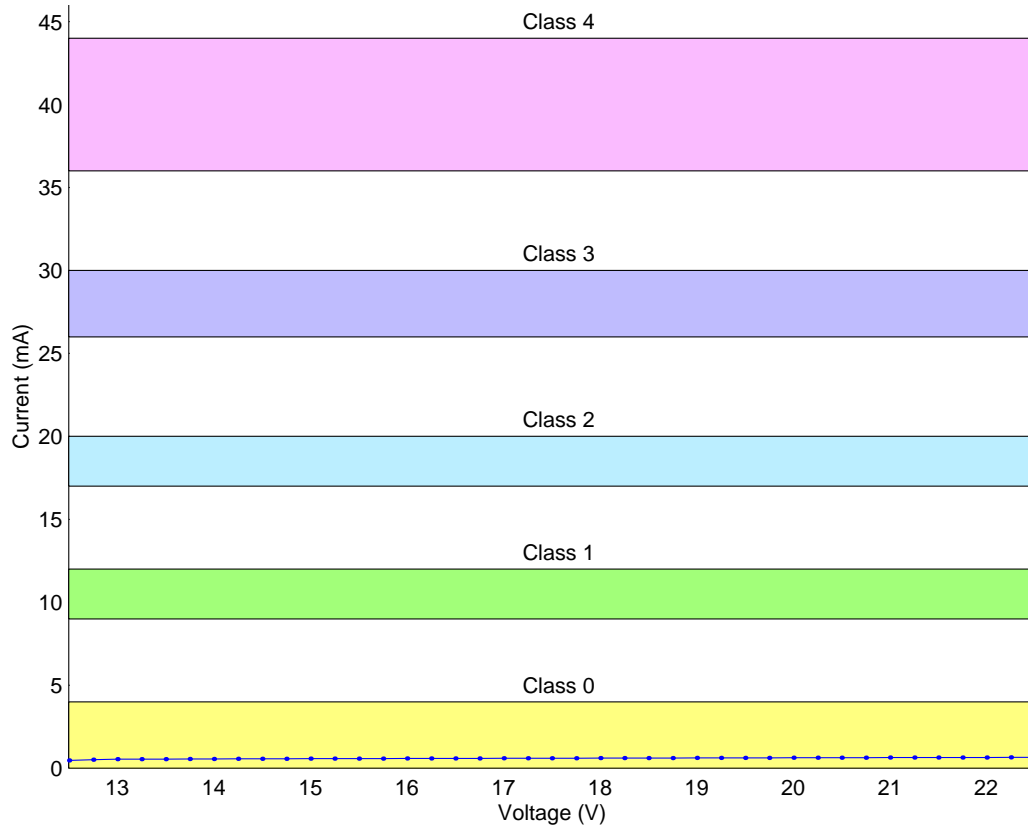


Figure 4: Mode B Classification Signature Characteristics – Class 0

