



OpenFabrics Alliance

Interoperability Logo Group (OFILG)

May 2011 Logo Event Report

UNH-IOL – 121 Technology Drive, Suite 2 – Durham, NH 03824 - +1-603-862-0090
OpenFabrics Interoperability Logo Group (OFILG) – ofalab@iol.unh.edu

Martin Schlining
DataDirect Networks
8320 Guilford Road
Columbia, MD 21046

Date: 05 July 2011
Report Revision: 1.0
OFED Version on Compute Nodes: 1.5.3.1
Operating System on Compute Nodes: CentOS 5.5

Enclosed are the results from OFA Logo testing performed on the following devices under test (DUTs):
DataDirect Networks S2A9900 *DataDirect Networks SFA10000*

The test suite referenced in this report is available at the IOL website. Release 1.36 (2011-Mar-01) was used.

[http://www.iol.unh.edu/services/testing/ofa/testsuites/OFA-IWG Interoperability Test Plan-v1.36.pdf](http://www.iol.unh.edu/services/testing/ofa/testsuites/OFA-IWG%20Interoperability%20Test%20Plan-v1.36.pdf)

The Following Table highlights the Mandatory test results required for the OpenFabrics Interoperability Logo for the DUT per the Test Plan referenced above and the current OpenFabrics Interoperability Logo Program (OFILP)

Test Procedures	IWG Test Status	Result/Notes
10.1: Link Initialization	Mandatory	PASS
10.2: IB Fabric Initialization	Mandatory	PASS
10.5: SM Failover and Handover	Mandatory	PASS
10.6: SRP	Mandatory	PASS

Summary of all results follows on the second page of this report.
For Specific details regarding issues, please see the corresponding test result.

Testing Completed 13 June 2011

Nickolas Wood
ndv2@iol.unh.edu



Review Completed 05 July 2011

Bob Noseworthy
ren@iol.unh.edu

Result Summary

The Following table summarizes all results from the event pertinent to this IB device class.

Test Procedures	IWG Test Status	Result/Notes
10.1: Link Initialization	Mandatory	PASS
10.2: IB Fabric Initialization	Mandatory	PASS
10.5: SM Failover and Handover	Mandatory	PASS
10.6: SRP	Mandatory	PASS

Digital Signature Information

This document was signed using an Adobe Digital Signature. A digital signature helps to ensure the authenticity of the document, but only in this digital format. For information on how to verify this document's integrity proceed to the following site:

http://www.iol.unh.edu/certifyDoc/certificates_and_fingerprints.php

If the document status still indicated "Validity of author NOT confirmed", then please contact the UNH-IOL to confirm the document's authenticity. To further validate the certificate integrity, Adobe 9.0 should report the following fingerprint information:

MD5 Fingerprint: 4B9E 655C 582A 3980 84EF 7COA BCED 1EBF
SHA-1 Fingerprint: 02CB 7B8F F1EC 5921 DE3F A21B 6606 B809 12D9 DD0E

Report Revision History

- v1.0 Initial working copy

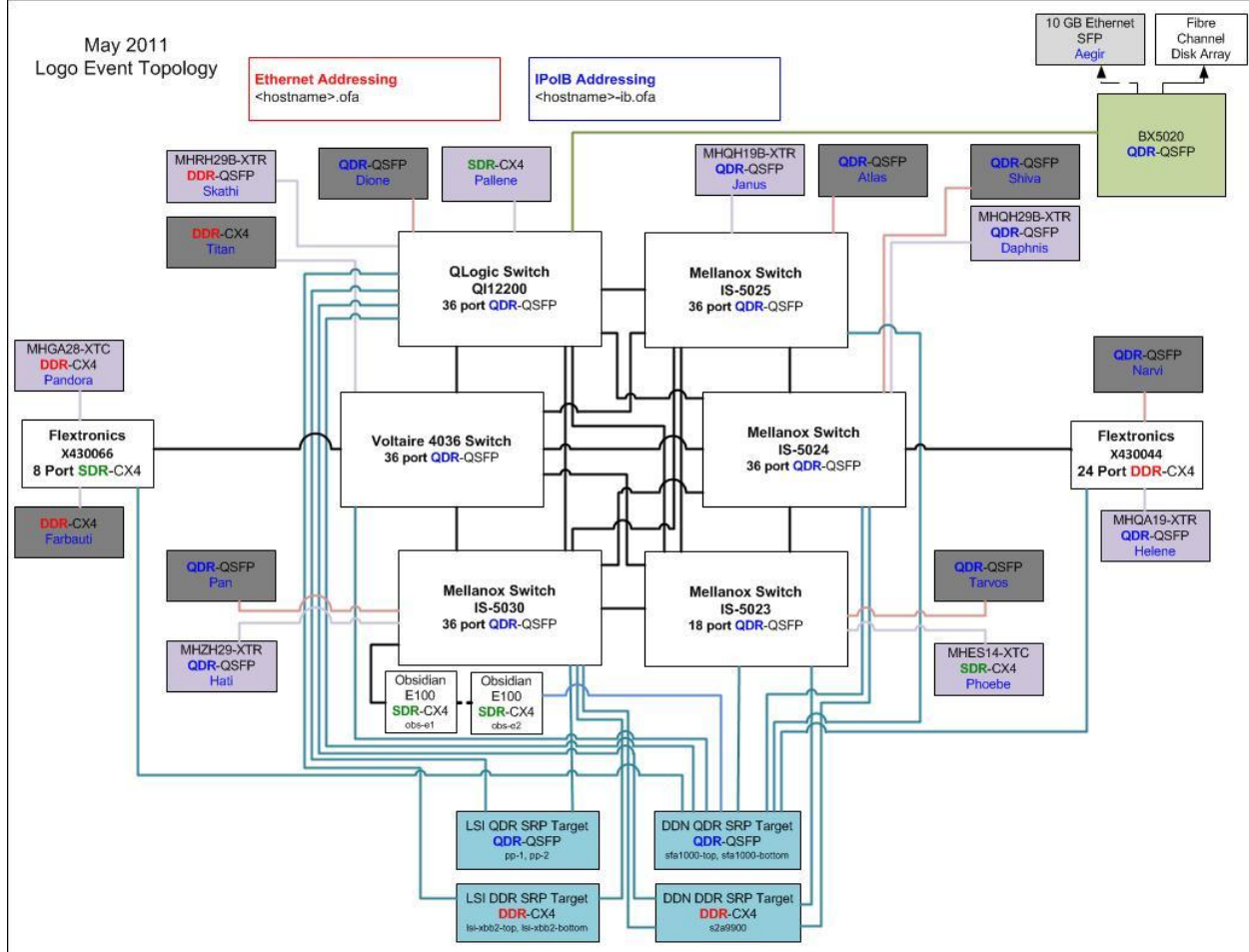
Result Key

The following table contains possible results and their meanings:

Result:	Description:
PASS	The Device Under Test (DUT) was observed to exhibit conformant behavior.
PASS with Comments	The DUT was observed to exhibit conformant behavior however an additional explanation of the situation is included.
FAIL	The DUT was observed to exhibit non-conformant behavior.
Warning	The DUT was observed to exhibit behavior that is not recommended.
Informative	Results are for informative purposes only and are not judged on a pass or fail basis.
Refer to Comments	From the observations, a valid pass or fail could not be determined. An additional explanation of the situation is included.
Not Applicable	The DUT does not support the technology required to perform this test.
Not Available	Due to testing station limitations or time limitations, the tests could not be performed.
Borderline	The observed values of the specific parameters are valid at one extreme and invalid at the other.
Not Tested	Not tested due to the time constraints of the test period.

DUT and Test Setup Information

Figure 1: The IB fabric configuration utilized for any tests requiring a multi-switch configuration is shown below.



DUT #1 Details			
Manufacturer:	DataDirect Networks	Firmware Revision:	6.11_pre_16
Model:	S2A9900	Hardware Revision:	NA
Speed:	DDR	Located in Host:	NA
Firmware MD5sum:	4e69429ee47173d0b19878c03823cbc3		
Additional Comments / Notes:			

DUT #2 Details			
Manufacturer:	DataDirect Networks	Firmware Revision:	1.4.0-7148
Model:	SFA10000	Hardware Revision:	NA
Speed:	QDR	Located in Host:	NA
Firmware MD5sum:	e3c081ff911c8bdfa77ddd0af6a0c68a		
Additional Comments / Notes:			

Mandatory Tests – IB Device Test Results:

10.1: Link Initialization

Results	
Part a:	PASS
Discussion:	
No issues seen	

Link Partner	S2A9900	SFA10000	
QLogic 12200 (Switch) – QDR	PASS	PASS	
Flextronics X430066 (Switch) – SDR	PASS	PASS	
Flextronics X430044 (Switch) – DDR	PASS	PASS	
Mellanox IS-5030 (Switch) – QDR	PASS	PASS	
Mellanox IS-5025 (Switch) – QDR	PASS	PASS	
Mellanox IS-5024 (Switch) – QDR	PASS	PASS	
Mellanox IS-5023 (Switch) – QDR	PASS	PASS	
Obsidian Longbow E100 (Range Extender) – SDR	PASS	PASS	
Mellanox BX5020 (Gateway) - QDR	NA	NA	
LSI XBB2 (SRP Target) – DDR	NA	NA	
LSI Pikes Peak (SRP Target) – QDR	NA	NA	
DataDirect Networks S2A9900 (SRP Target) – DDR	NA	NA	
DataDirect Networks SFA10000 (SRP Target) – QDR	NA	NA	
Host: Skathi G2 PCI e	HCA: MHRH29B-XTR – DDR	PASS	PASS
Host: Phoebe	HCA: MHES14-XTC – SDR	PASS	PASS
Host: Pandora	HCA: MHGA28-XTC – DDR	PASS	PASS
Host: Daphnis G2 PCI e	HCA: MHQH29B-XTR – QDR	PASS	PASS
Host: Hati G2 PCI e	HCA: MHZH29-XTR – QDR	PASS	PASS
Host: Helene G2 PCI e	HCA: MHQA19-XTR – QDR	PASS	PASS
Host: Janus	HCA: MHQH19B-XTR - QDR	PASS	PASS

10.2: Fabric Initialization

Results	OpenSM	QLogic 12200 SM	Mellanox IS-5030 SM
Part a:	PASS	PASS	PASS
Discussion:			
No issues seen			

10.5: SM Failover and Handover

Results	OpenSM	QLogic 12200 SM	Mellanox IS-5030 SM
Part a:	PASS	NA	NA
Discussion:			
No issues seen			

OFA Logo Event Report – May 2011
DUT: DataDirect Networks S2A9900, SFA10000 SRP Targets

10.6: SRP

Results	OpenSM	QLogic 12200 SM	Mellanox IS-5030 SM
Part a:	PASS	PASS	PASS
Discussion:			
No issues seen			