



# OpenFabrics Alliance

## Interoperability Logo Group (OFILG)

### February 2019 Logo Report



**UNH-IOL – 21 Madbury Rd., Suite 100 – Durham, NH 03824 - +1-603-862-0090**  
**OpenFabrics Interoperability Logo Group (OFILG) – ofalab@iol.unh.edu**

Abdel Sadek  
 NetApp  
 3718 N. Rock Road  
 Wichita, KS 67226-1308

Date: February 27, 2019  
 Report Revision: 1.0  
 OFED Version: OFED 4.17  
 OS Version: RHEL 7.5

Enclosed are the results from OFA Logo testing performed on the following devices under test (DUTs):

*E-Series E5700*

The test suite referenced in this report is available at the UNH-IOL website. Release 2.05-v3 (2017-10-19) was used.

<http://iol.unh.edu/ofatestplan>

The following table highlights the Mandatory test required for the OpenFabrics Interoperability Logo for the InfiniBand HCA device class per the Test Plan and the current OpenFabrics Interoperability Logo Program (OFILP).

Summary of all results follows on the second page of this report.

Test Procedures	IWG Test Status	Result/Notes
<a href="#">11.1: Link Initialization</a>	Mandatory	PASS
<a href="#">11.2: Fabric Initialization</a>	Mandatory	PASS
<a href="#">11.5: SM Failover and Handover</a>	Mandatory	PASS
<a href="#">13.1: iSER</a>	Beta	PASS

For Specific details regarding issues, please see the corresponding test result.

Testing Completed February 27, 2019 \_\_\_\_\_

Reviewed & Issued March 19, 2019

Adam LeBlanc  
[aleblanc@iol.unh.edu](mailto:aleblanc@iol.unh.edu) \_\_\_\_\_

Lincoln Lavoie  
[lylavoie@iol.unh.edu](mailto:lylavoie@iol.unh.edu)

## Result Summary

The Following table summarizes all results from the event pertinent to this IB device class (InfiniBand HCA).

Test Procedures	IWG Test Status	Result/Notes
<a href="#">11.1: Link Initialization</a>	Mandatory	PASS
<a href="#">11.2: Fabric Initialization</a>	Mandatory	PASS
<a href="#">11.5: SM Failover and Handover</a>	Mandatory	PASS
<a href="#">13.1: iSER</a>	Beta	PASS

### *Digital Signature Information*

This document was created using an Adobe digital signature. A digital signature helps to ensure the authenticity of the document, but only in this digital format. For information on how to verify this document's integrity proceed to the following site:

<http://www.iol.unh.edu/certifyDoc/>



If the document status still indicates "Validity of author NOT confirmed", then please contact the UNH-IOL to confirm the document's authenticity. To further validate the certificate integrity, Adobe 6.0 or later should report the following fingerprint information:

MD5 Fingerprint: F8 FF A5 EF 1C C9 04 36 AE 09 63 9F 65 C6 C1 C1  
SHA-1 Fingerprint: D7 D2 F3 D0 31 65 08 C2 DA 2E FF 84 1C 37 6A D3 98 66 AD 3A

## Report Revision History

- v1.0 Initial working copy

## Configuration Files

Description	Attachment
RHEL 7.5 Configuration File	
OFED 4.17 Configuration File	

## Result Key

The following table contains possible results and their meanings:

Result:	Description:
<b>PASS</b>	The Device Under Test (DUT) was observed to exhibit conformant behavior.
<b>PASS with Comments</b>	The DUT was observed to exhibit conformant behavior however an additional explanation of the situation is included.
<b>Qualified PASS</b>	The DUT was observed to exhibit conformant behavior, with the exception of fault(s) or defect(s) which were previously known.
<b>FAIL</b>	The DUT was observed to exhibit non-conformant behavior.
<b>Warning</b>	The DUT was observed to exhibit behavior that is not recommended.
<b>Informative</b>	Results are for informative purposes only and are not judged on a pass or fail basis.
<b>Refer to Comments</b>	From the observations, a valid pass or fail could not be determined. An additional explanation of the situation is included.
<b>Not Applicable</b>	The DUT does not support the technology required to perform this test.
<b>Not Available</b>	Due to testing station limitations or time limitations, the tests could not be performed.
<b>Borderline</b>	The observed values of the specific parameters are valid at one extreme and invalid at the other.
<b>Not Tested</b>	Not tested due to the time constraints of the test period.

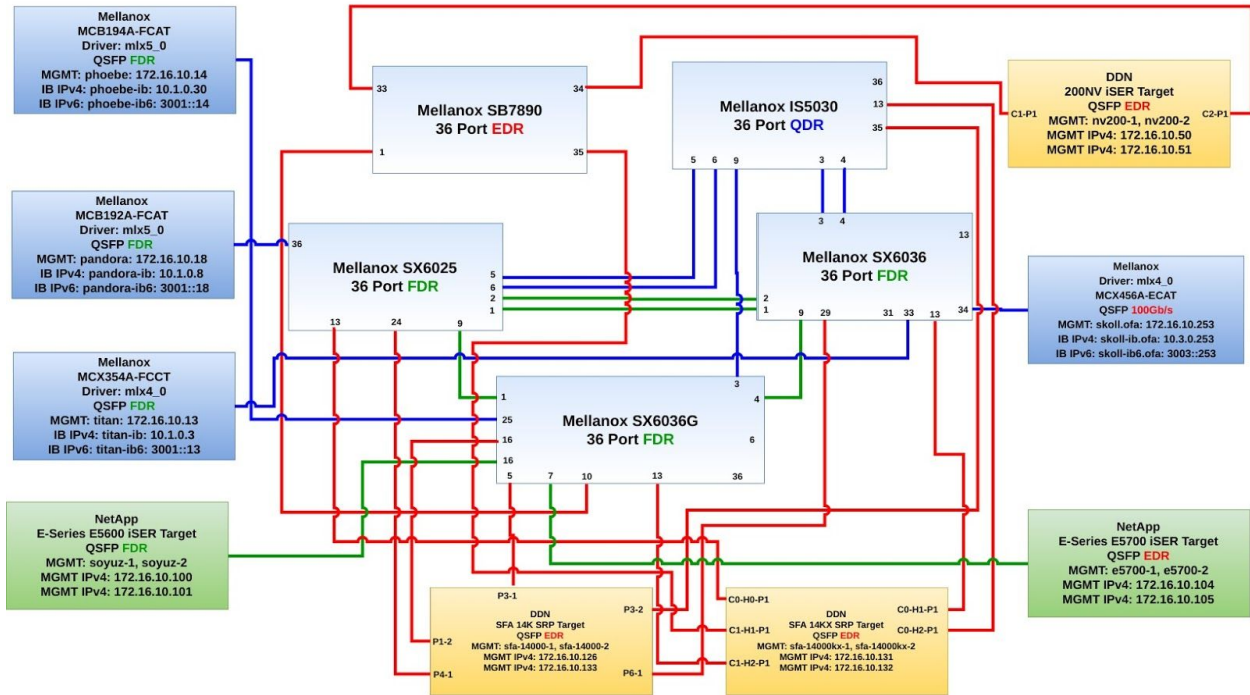
# DUT and Test Setup Information

The IB fabric configuration utilized is shown below.

February 2019  
 InfiniBand Topology

Ethernet Addressing  
 <hostname>.ofa.iol.unh.edu

IPoIB Addressing  
 <hostname>-ib.ofa.iol.unh.edu  
 <hostname>-ib6.ofa.iol.unh.edu



DUT #1 Details			
Manufacturer:	Netapp	Firmware Revision:	08.50.00.03
Model:	E-Series E5700	Hardware Revision:	1.0
Speed:	EDR	Located in Host:	N/A
Additional Comments / Notes:			

## Mandatory Tests – IB Device Test Results:

### 11.1: Link Initialization

Results	Result
Part #1:	PASS
<b>Discussion:</b>	
All links established with the DUT were of the proper link speed and width.	

### 11.2: Fabric Initialization

Subnet Manager	Result
OpenSM	PASS
<b>Result Discussion:</b>	
All subnet managers used while testing with OFED 4.8 were able to correctly configure the selected topology.	

### 11.5: SM Failover and Handover

SM Pairings	Result
OpenSM	PASS
<b>Result Discussion:</b>	
OpenSM was able to properly handle SM priority and state rules.	

### 13.1: iSER

Subnet Manager	Result
OpenSM	PASS
<b>Result Discussion:</b>	
Communications between all HCAs and all iSER targets succeeded while OpenSM was in control of the fabric.	