



OpenFabrics Alliance

Interoperability Logo Group (OFILG)

February 2019 Logo Report



UNH-IOL – 21 Madbury Rd., Suite 100 – Durham, NH 03824 - +1-603-862-0090
OpenFabrics Interoperability Logo Group (OFILG) – ofalab@iol.unh.edu

Martin Schlining
 DDN
 8320-D Guilford Road
 Columbia, MD 21046

Date: February 27, 2019
 Report Revision: 1.0
 OFED Version: OFED-4.17
 OS Version: RHEL 7.5

Enclosed are the results from OFA Logo testing performed on the following devices under test (DUTs):

SFA7700
SFA14000
200NV

The test suite referenced in this report is available at the UNH-IOL website. Release 2.05-v3 (2017-10-19) was used.

<http://iol.unh.edu/ofatestplan>

The following table highlights the Mandatory test required for the OpenFabrics Interoperability Logo for the InfiniBand HCA device class per the Test Plan and the current OpenFabrics Interoperability Logo Program (OFILP).

Summary of all results follows on the second page of this report.

Test Procedures	IWG Test Status	Result/Notes
11.1: Link Initialization	Mandatory	PASS
11.2: Fabric Initialization	Mandatory	PASS
11.5: SM Failover and Handover	Mandatory	PASS
11.6: SRP	Mandatory	PASS
13.1: iSER	Beta	PASS

For Specific details regarding issues, please see the corresponding test result.

Testing Completed February 27, 2019 _____

Reviewed & Issued March 19, 2019

Adam LeBlanc
aleblanc@iol.unh.edu

Lincoln Lavoie
lylavoie@iol.unh.edu

Result Summary

The Following table summarizes all results from the event pertinent to this IB device class (InfiniBand HCA).

Test Procedures	IWG Test Status	Result/Notes
11.1: Link Initialization	Mandatory	PASS
11.2: Fabric Initialization	Mandatory	PASS
11.5: SM Failover and Handover	Mandatory	PASS
11.6: SRP	Mandatory	PASS
13.1: iSER	Beta	PASS

Digital Signature Information

This document was created using an Adobe digital signature. A digital signature helps to ensure the authenticity of the document, but only in this digital format. For information on how to verify this document's integrity proceed to the following site:

<http://www.iol.unh.edu/certifyDoc/>



If the document status still indicates "Validity of author NOT confirmed", then please contact the UNH-IOL to confirm the document's authenticity. To further validate the certificate integrity, Adobe 6.0 or later should report the following fingerprint information:

MD5 Fingerprint: F8 FF A5 EF 1C C9 04 36 AE 09 63 9F 65 C6 C1 C1
SHA-1 Fingerprint: D7 D2 F3 D0 31 65 08 C2 DA 2E FF 84 1C 37 6A D3 98 66 AD 3A

Report Revision History

- v1.0 Initial working copy

Configuration Files

Description	Attachment
RHEL 7.5 Configuration File	
OFED 4.17 Configuration File	

Result Key

The following table contains possible results and their meanings:

Result:	Description:
PASS	The Device Under Test (DUT) was observed to exhibit conformant behavior.
PASS with Comments	The DUT was observed to exhibit conformant behavior however an additional explanation of the situation is included.
Qualified PASS	The DUT was observed to exhibit conformant behavior, with the exception of fault(s) or defect(s) which were previously known.
FAIL	The DUT was observed to exhibit non-conformant behavior.
Warning	The DUT was observed to exhibit behavior that is not recommended.
Informative	Results are for informative purposes only and are not judged on a pass or fail basis.
Refer to Comments	From the observations, a valid pass or fail could not be determined. An additional explanation of the situation is included.
Not Applicable	The DUT does not support the technology required to perform this test.
Not Available	Due to testing station limitations or time limitations, the tests could not be performed.
Borderline	The observed values of the specific parameters are valid at one extreme and invalid at the other.
Not Tested	Not tested due to the time constraints of the test period.

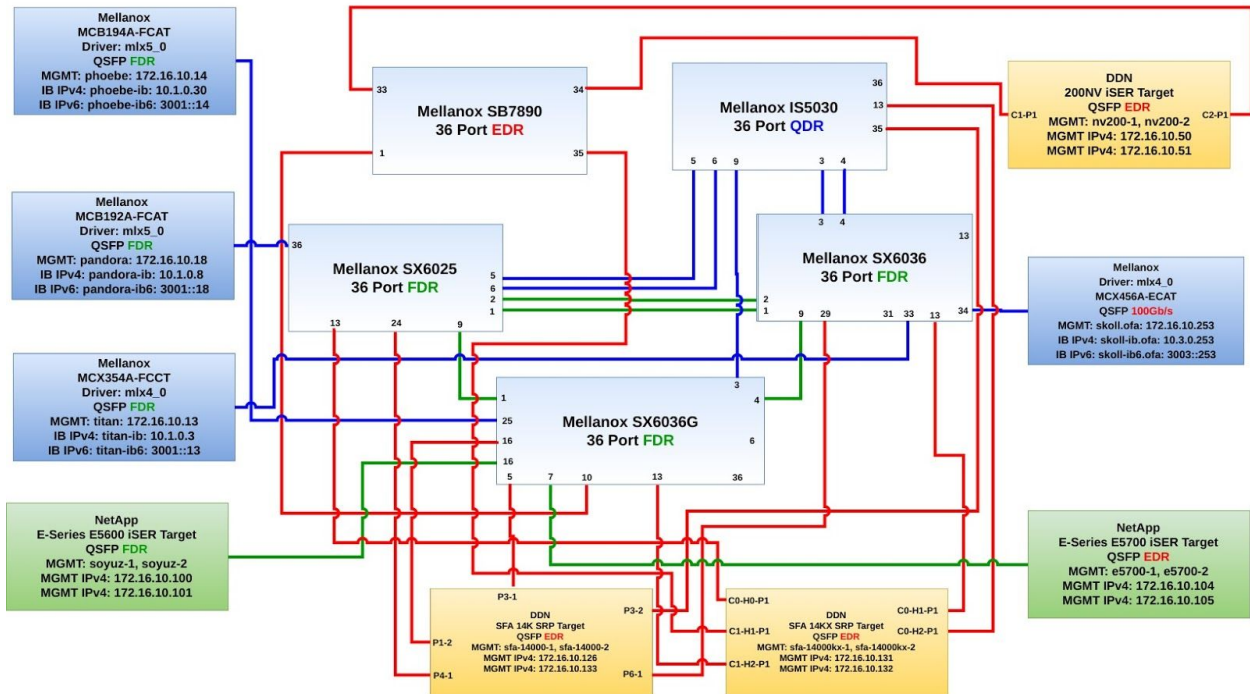
DUT and Test Setup Information

The IB fabric configuration utilized is shown below.

February 2019
 InfiniBand Topology

Ethernet Addressing
 <hostname>.ofa.iol.unh.edu

IPoIB Addressing
 <hostname>-ib.ofa.iol.unh.edu



DUT #1 Details			
Manufacturer:	DDN	Firmware Revision:	3.1.4.0.45036
Model:	SFA7700	Hardware Revision:	0
Speed:	FDR	Located in Host:	N/A
Firmware MD5sum:			
Additional Comments / Notes:			

DUT #2 Details			
Manufacturer:	DDN	Firmware Revision:	11.3.1.45506
Model:	SFA14000	Hardware Revision:	0
Speed:	EDR	Located in Host:	N/A
Firmware MD5sum:			
Additional Comments / Notes:			

DUT #2 Details			
Manufacturer:	DDN	Firmware Revision:	11.3.1.45506
Model:	200NV	Hardware Revision:	0
Speed:	EDR	Located in Host:	N/A
Firmware MD5sum:			
Additional Comments / Notes:			

Mandatory Tests – IB Device Test Results:

11.1: Link Initialization

Results	Result
Part #1:	PASS
Discussion:	
All links established with the DUT were of the proper link speed and width.	

11.2: Fabric Initialization

Subnet Manager	Result
OpenSM	PASS
Result Discussion:	
All subnet managers used while testing with OFED 4.8 were able to correctly configure the selected topology.	

11.5: SM Failover and Handover

SM Pairings	Result
OpenSM	PASS
Result Discussion:	
OpenSM was able to properly handle SM priority and state rules.	

11.6: SRP

Subnet Manager	Result
OpenSM	PASS
Result Discussion:	
Communications between all HCAs and all SRP targets succeeded while OpenSM was in control of the fabric.	

13.1: iSER

Subnet Manager	Result
OpenSM	PASS
Result Discussion:	
Communications between all HCAs and all iSER targets succeeded while OpenSM was in control of the fabric.	